



Description

- UHF SATCOM 243-380 MHz covers:
 - MUOS 300-320/360-380 MHz
 - UFO Waveform 292-318/243-270 MHz
- Quadrifilar helix - ground plane independent
- Hemispherical coverage
- Good gain at low elevation
- Minimum VSWR losses
- Folding tripod assembly for ground deployment



Comrod CEF connection with radiating element.
N type female coaxial cable connection.



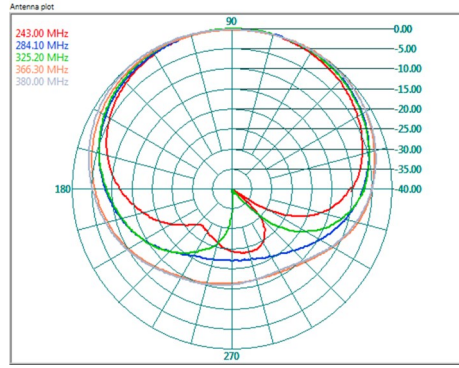
Electrical Specifications

Frequency range	243-380 MHz
VSWR	< 2:1
Nominal impedance	50 ohm
Power rating	60 W CW
Gain	4 dBi Nominal
Radiation pattern	Azimuth: Omnidirectional ± 1.5 dB Elevation: See plot
Polarization	Right Hand Circular Polarization (RHCP)
Connector	N type female, others on request

Mechanical Specifications

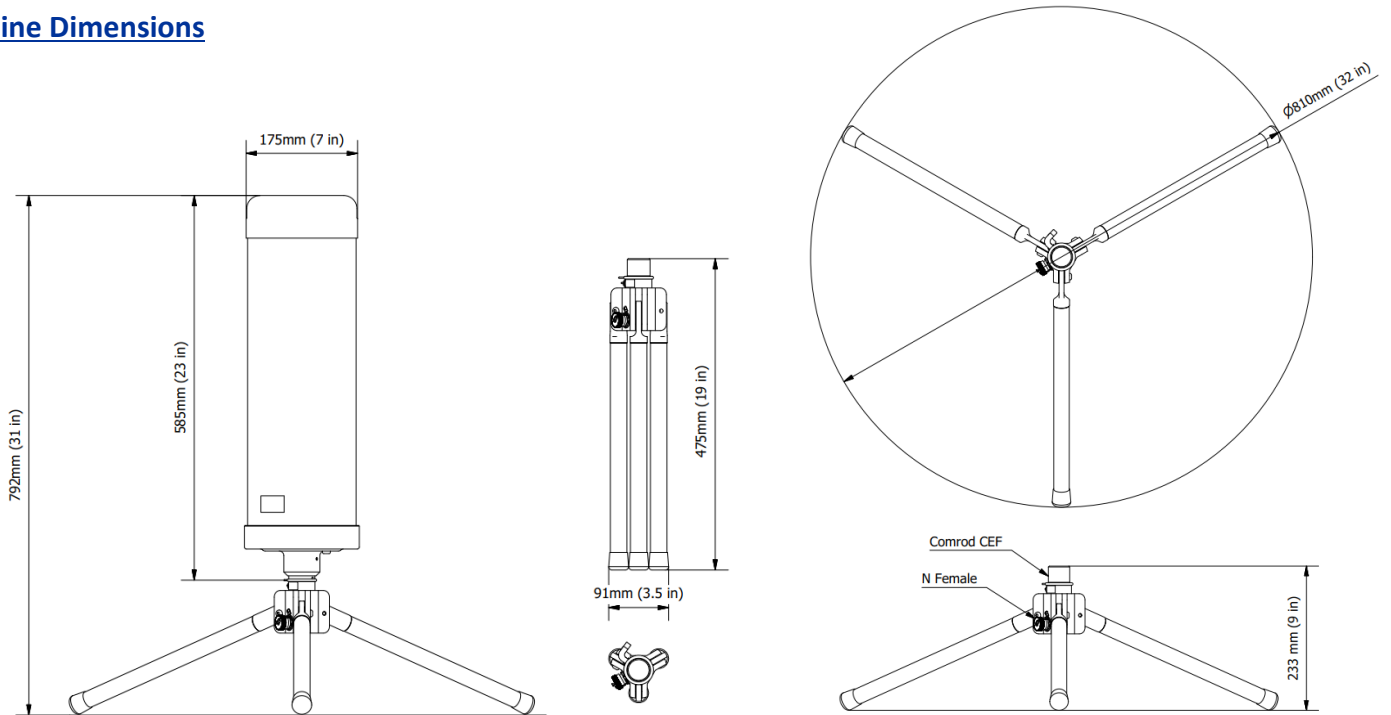
Design	Helical radiating element fully enclosed in a GRP radome. Mounted on a foldable tripod assembly
Dimensions	See page 2
Weight	Antenna Element 3.1 kg / 6.8 lbs Tripod Base 1.25 kg / 2.75 lbs
Wind rating	55 m/s = 125 mph
Finish	Polyurethane lacquer Antenna element standard colors: Green, Tan, Black, Grey Tripod: Black
Temperature	-55 °C, +71°C; -67 °F, +160 °F

Typical Elevation Pattern



No ground plane

Outline Dimensions



Optional Accessories

Product	Description
DIPLEX320360-MUOS	Diplexer 243-320MHz, 360-380MHz, low loss, high isolation between bands