



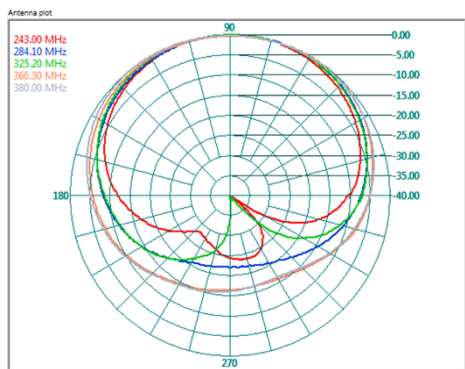
Description

- Multiband UHF/MUOS SATCOM, L-S and S-C Band Antenna
- Single connector: 243-380 MHz / 700-6000 MHz
- UHF SATCOM 243-380 MHz covers:
 - MUOS 300-320/360-380 MHz
 - UFO Waveform 292-318/243-270 MHz
- Wideband 700-6000 MHz covers:
 - L-S band 700-2700 MHz
 - S-C band 3200-6000 MHz
- UHF SATCOM:
 - Quadrifilar helix - ground plane independent
 - Hemispherical coverage
 - Excellent gain at low elevation
 - Minimum VSWR losses
- L-S / S-C band:
 - Wideband stacked dipole
- Radiating element removeable from base assembly
- NATO 4-Hole spring base
- Optional external diplexer to split UHF/MUOS SATCOM and L/S/C band.

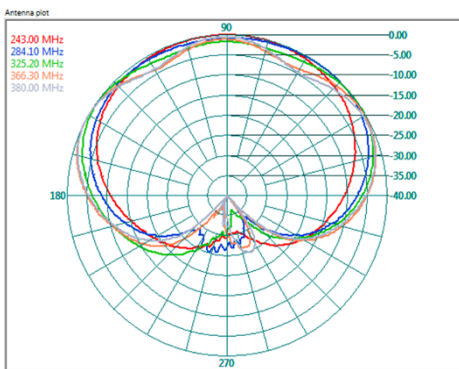
Electrical Specifications

	UHF SATCOM	L/S/C Band
Frequency range	243-380 MHz	700-6000 MHz
VSWR	< 2:1	< 3.5:1
Nominal impedance	50 ohm	50 ohm
Power rating	60 W	700-2700 MHz: 35 W 3200-6000 MHz: 25 W
Gain	See gain curve	See gain curve
Radiation pattern	Azimuth: Omnidirectional ± 1.5 dB Elevation: See plots	Omnidirectional ± 2 dB
Polarization	Right Hand Circular Polarization (RHCP)	Vertical
Connector	N Type Female	

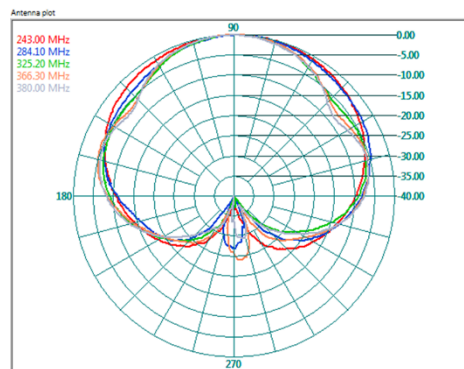
Typical Elevation Patterns - UHF/MUOS



No Groundplane

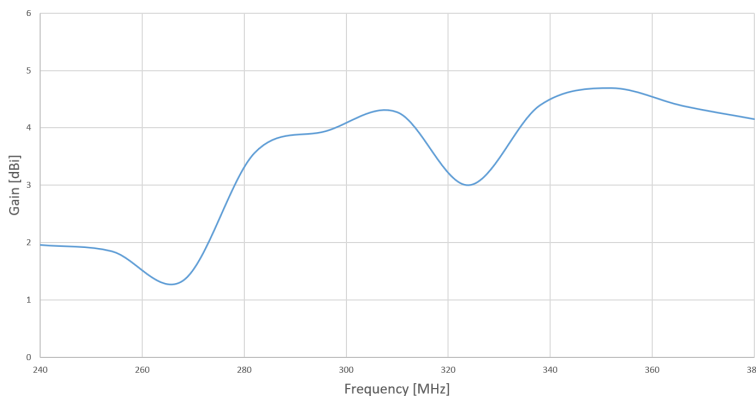


NTR Rigid Base mounted in the center of 4ft x 4ft groundplane

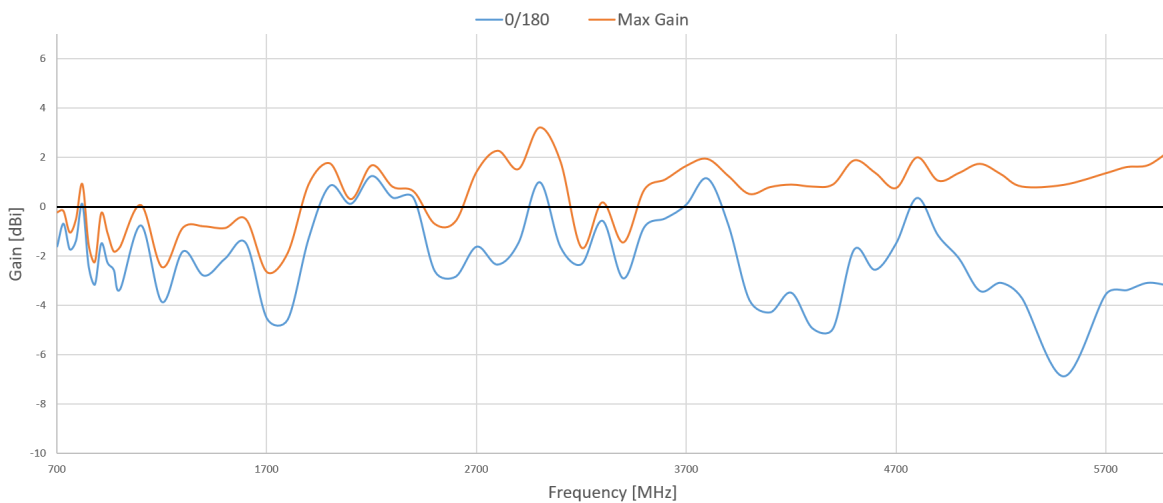


NTS Spring Base mounted in the center of a 4ft x 4ft groundplane

Gain Curves



Gain dBi: UHF/MUOS 243-380 MHz



Gain dBi: L-S-C Band 700-6000 MHz

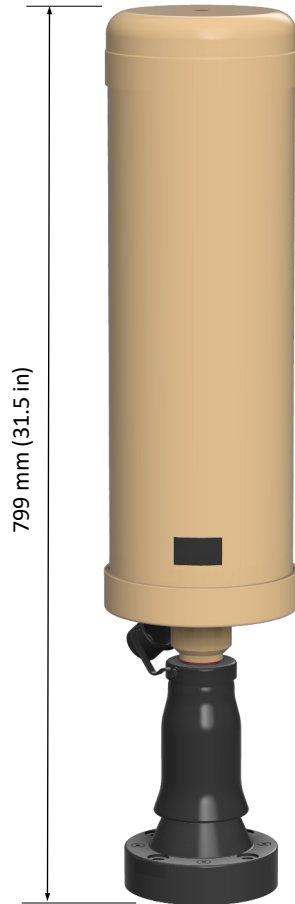
Mechanical Specifications

Design	Helical radiating element and stacked dipole elements fully enclosed in a GRP radome.
Height	799 mm (31.5 in)
Weight	Antenna Element 3.3 kg (7.3 lbs) NTS Dampened Spring Base 2.7 kg (6 lbs)
Wind rating	55 m/s = 125 mph
Finish	Polyurethane lacquer Standard colors: Green, Tan, Black, Grey
Temperature range	-55 °C, +71°C; -67 °F, +160 °F

Mounting Options



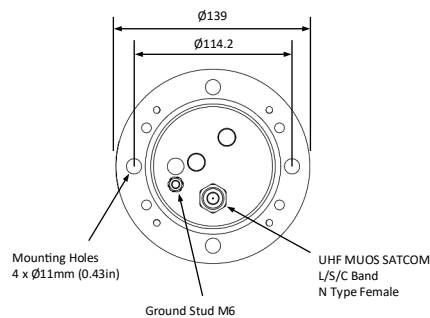
Radiating element



NTS Dampened Spring Base (CEF6)



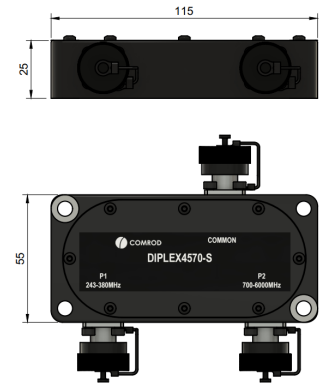
Radiating element to base mounting thread
(Comrod CEF6 type)



NATO 4-hole base mounting details

Optional Accessories

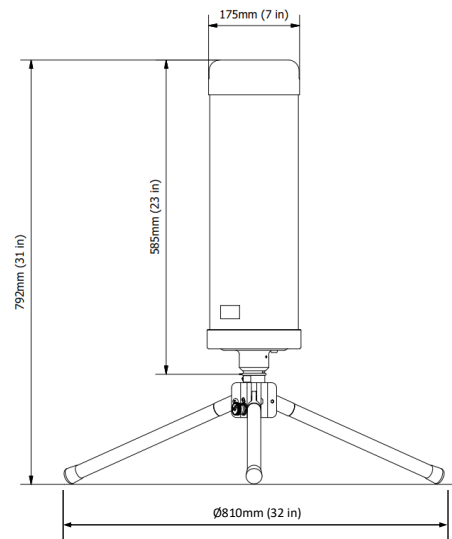
Product	Description
DIPLEX4570-S	Diplexer for UHF243380-DBS. Low loss, high isolation between bands.
	Connectors: Common: 243-6000 MHz P1: 243-380 MHz P2: 700-6000 MHz



UHF243380S-D

Dismounted Option (see separate datasheet)

- Uses the same radiating element as the vehicle version
- Folding tripod assembly for ground deployment
- Carrying case option



Comrod CEF connection to radiating element.
N type female coaxial cable connection.