

Application

The VHF30108EF is a VHF vehicle antenna operating over the 30-108 MHz frequency band. It has been designed for use on all modern in-service military platforms, including armoured or soft skin, metal chassis or composite, wheeled or tracked. The antenna is a monopole design so requires a ground plane to operate.

Bases are available for vehicle, shelter and mast mounting with optional L1 and L1/L2 GPS

Electrical specifications

Frequency range	30 - 108 MHz
VSWR	See plot
Nominal impedance	50 ohm
Power rating	100 W CW
Gain	See plot
Radiation pattern	Azimuth: Omnidirectional
Polarization	Vertical
Connector	VHF - BNC female, others on request GPS (option) - SMA female

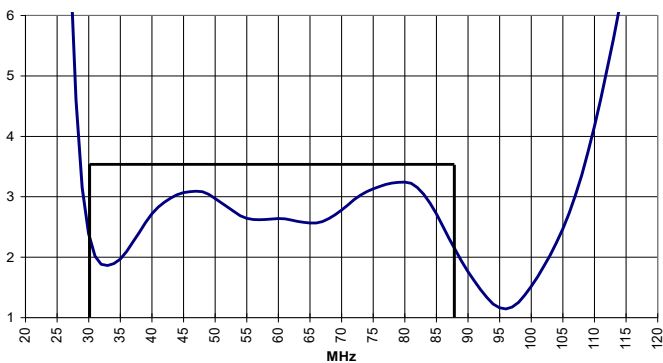
Mechanical specifications

Design	End fed whip. Radiating elements completely enclosed in epoxy/ fibreglass laminate. Metal parts are brass and stainless steel.
Length, mounted	VHF30108EF - 2.62 m VHF30108EF-GPS - 2.64 m
Weight	2.7 kg
Wind rating	55 m/s = 125 mph
Finish	Polyurethane lacquer, olive drab. Other colours on request.
Temperature range	-55 °C, +55 °C; -67 °F, +131 °F

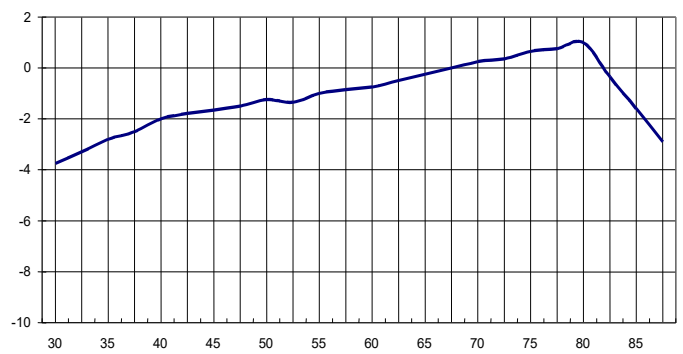
GPS Electrical Specification

	L1 GPS	L1/L2 GPS
Frequency Band	1575.42 ± 10 MHz	1575.42 ± 10 MHz 1227.60 ± 10 MHz
Power Supply	2.7-5.5 V @ <60mA, + centre	2.7-5.5 V @ <60mA, + centre
Amplifier Gain	25 dB, GPS	25 dB, GPS
Pre-amplifier	26.5 dB @ 5 V	26.5 dB @ 5 V
Noise Figure	2.5 dB	2.5 dB
Polarization	RHCP	RHCP

VSWR



GAIN, relative ¼ whip

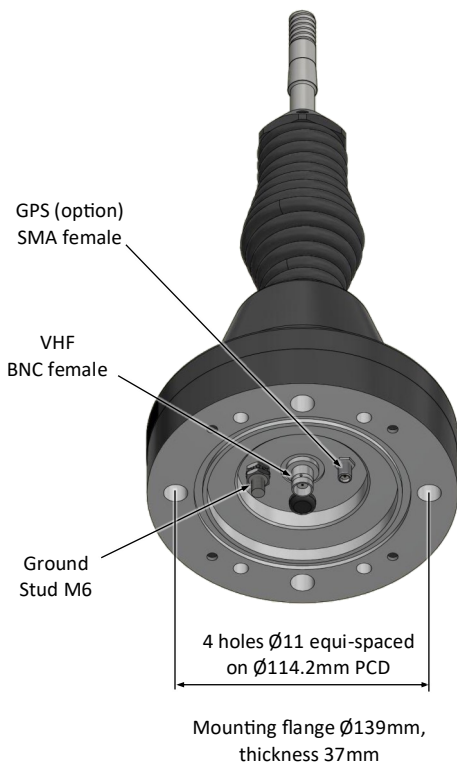


Base Options

Vehicle/Shelter Base
NATO 4-hole
Height 272 mm, 302mm (GPS)

Vehicle/Shelter
NATO 50mm
Height 258 mm

Elevated Mast Base
Height 219 mm



Shown with 24mm mounting spigot.
Other spigot/sockets sizes available.
Antenna monopole design requires
3 x 3m conductive ground-plane radials.