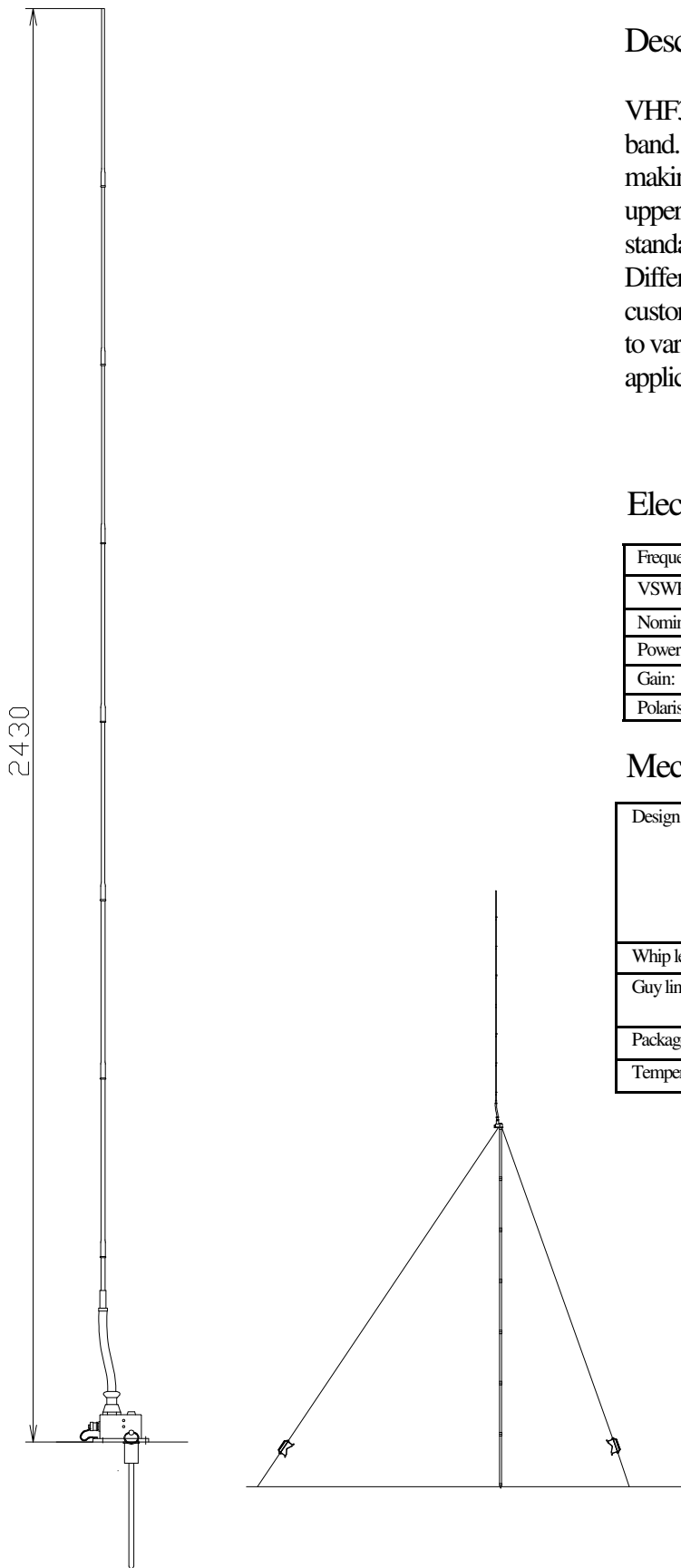


COMROD VHF30108GS

Ground Spike Antenna



Description:

VHF30108GS is a ground-spike antenna for the 30-108MHz band. The ground spike fits within a standard 24mm mast, this making the antenna easy to use on a mast. In this case the upper part of the guy-lines are used for a ground-plane. A standard man-pack whip is used for the radiating element. Different interfaces for this can be made according to the customers needs. The design and accessories may be adjusted to various climatic and environmental conditions and special applications.

Electrical specifications:

Frequency range:	30 - 108 MHz
VSWR:	< 3.5, can depend on the surroundings.
Nominal impedance:	50Ω
Power rating:	25W
Gain:	-8 to 2 dBi
Polarisation:	Vertical

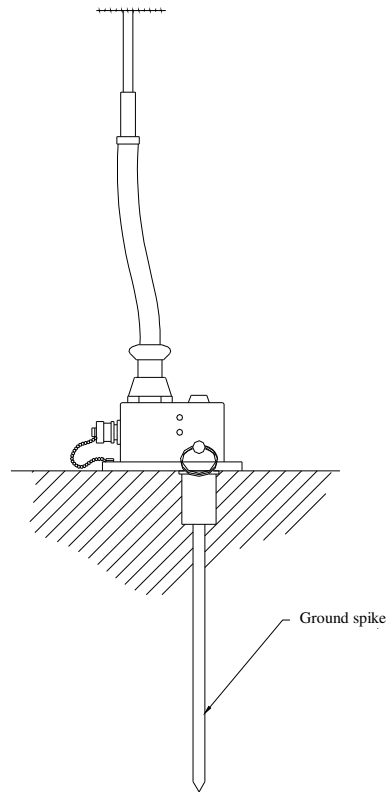
Mechanical specifications:

Design	Vertical monopole over ground, or elevated with artificial ground plane. Tuning network in the base for broadbanding. Sectional man-pack type whip. Ground plane as a part of the guy-lines. When used at ground level, the antenna base is secured to a conducting ground-spike.
Whip length	2.4 m
Guy lines with winder	3 pcs, 2.5m conductor + line on winder with adjustable lock and hooks each end.
Packaged weight	2 kg
Temperature range:	-55 °C, +55 °C; -67 °F, +131 °F

Mounting:

Ground mounted:

Use a hammer to drive the ground-spike vertically into the soil. Then secure the antenna to the ground-spike with the thumb nut.



Mast mounted:

Remove the ground-spike. Attach the guy-lines to the antenna base, insert the leads. Secure the antenna to the mast with the thumb nut. Raise the mast and tighten the guy-lines.

