

### Features

- 30-512MHz & 280-2700MHz
- 2-ports for VHF and UHF (3-ports with optional GPS)
- Designed for operation on all kinds of vehicles including armored vehicles
- Suitable for operation on shelters and to be mounted on masts or in other permanent installations.
- Rugged high quality antenna with a durable construction
- NATO flange base with spring.
- UHF antenna element located at the top of the whip for maximum range
- VHF requires a ground plane
- L1/L2 GPS option

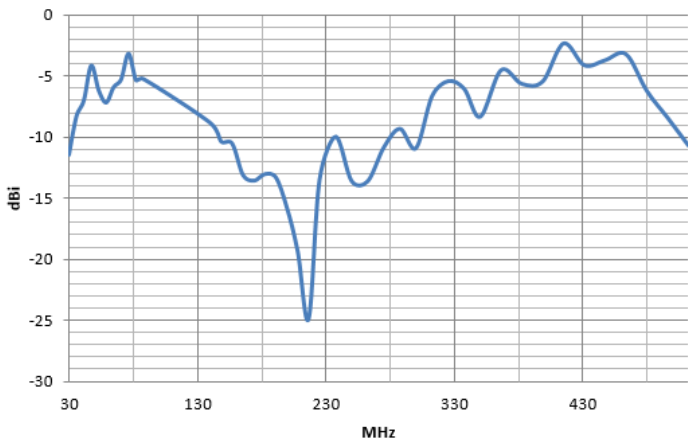
### Electrical specifications

Frequency range	VHF: 30-512MHz UHF: 280-2700MHz
VSWR	VHF: < 3.5 UHF: < 3.5
Port-to-port isolation	> 12dB
Nominal impedance	50Ω
Power rating	VHF: 75W CW UHF: 25W CW
Gain	VHF: -8 .. 1 dB rel. ¼-whip UHF: ~ 0 dBi
Radiation pattern	Horizontal plane: Omnidirectional
Polarization	Vertical
Connector	VHF: TNC Female UHF: N Type Female GPS: SMA Female (Option)

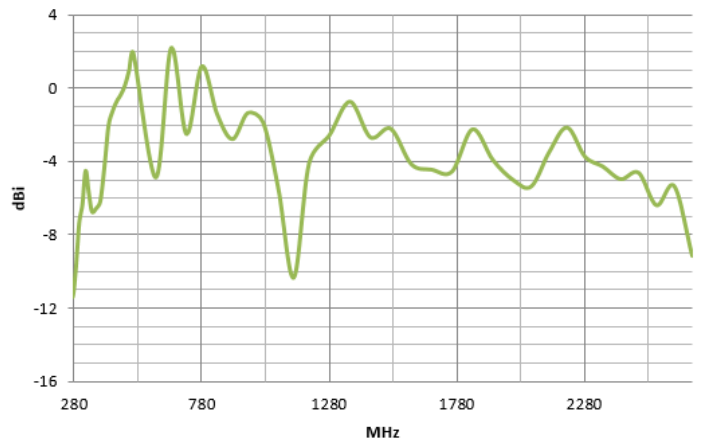
### Mechanical specifications

Design	VHF: End feed monopole. UHF: Dipole elements. Radiating element completely enclosed in epoxy/fiberglass laminate. Metal parts are brass and stainless steel.
Length	1.56m
Weight	Whip: 1.1kg Base: 2.6kg
Wind rating	55m/s
Finish	Polyurethane lacquer
Temperature range	-55°C to +71°C, -67°F to +160°F

### Gain - VHF (typical)

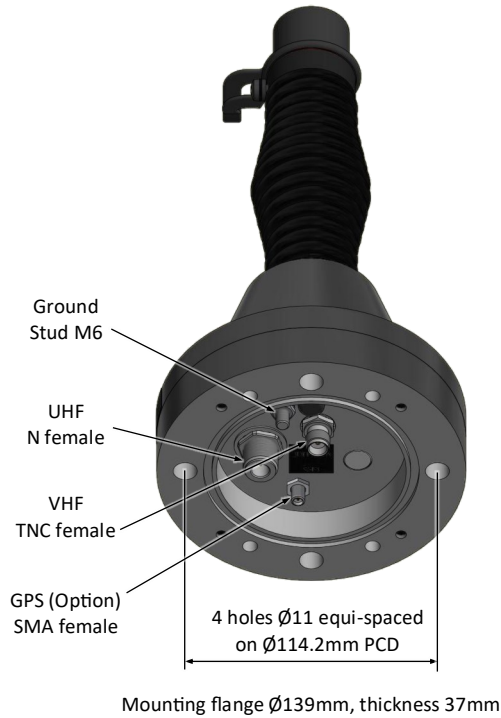


### Gain - UHF (typical)

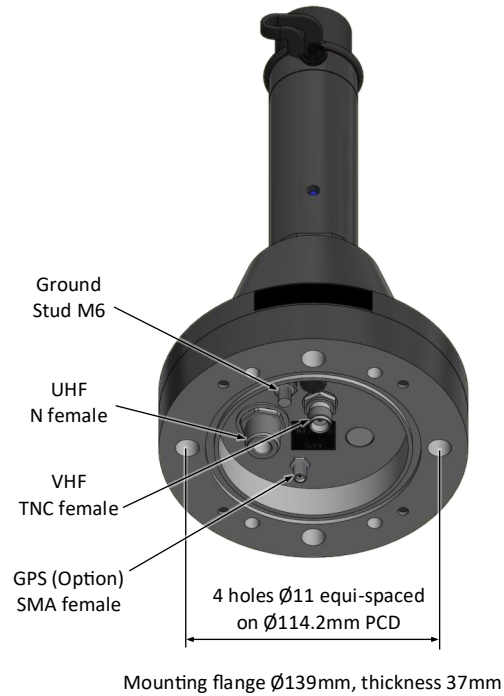


### Base Details & Connections

4-hole Spring Base  
GPS Option  
Base height 262mm



4-hole Rigid Base  
GPS Option  
Base height 262mm



### GPS Electrical Specification (Option)

	L1 GPS	L1/L2 GPS
Frequency Band	1575.42 ± 10 MHz	1227.60 ± 10 MHz 1575.42 ± 10 MHz
Power Supply	2.7-5.5 V @ <60mA, + centre	2.7-5.5 V @ <60mA, + centre
Amplifier Gain	25 dB, GPS	25 dB, GPS
Pre-amplifier	26.5 dB @ 5 V	26.5 dB @ 5 V
Noise Figure	2.5 dB	2.5 dB
Polarization	RHCP	RHCP



CEF connection  
on top of the base