

COMROD AC11BI4-US

4' Combined VHF and 825-895MHz antenna

Application:

The AC11BI4-US is a dual dipole antenna designed for the maritime VHF radio telephone service and for cellular telephones in the 825-895MHz band. It is a high quality antenna with a durable construction and a beautiful finish for installation on all kinds of vessels.

Because it combines two different antennas, it is specially suited where space is restricted. It does not require a ground plane.

It comes with integrated BNC coaxial contact.

Electrical specifications:

Frequency range	156-162 MHz 825-895 MHz
Nominal impedance	50 ohm
Power rating	50 W on VHF, 25 W on UHF
Gain	3 dB
VSWR	≤ 2/1
Pattern	Horizontal plane: Omnidirectional
Polarization	Vertical
Connector	BNC female

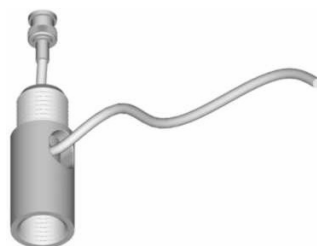
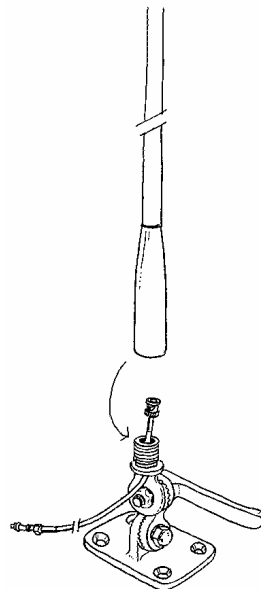
Mechanical specifications:

Design	Centered dual band coaxial dipole. Radiating elements completely enclosed in polyurethane foam within a fiberglass tube.
Height	4' (1.25 m.)
Weight	0.5 kg
Wind rating	55 m/s = 125 mph
Finish	Polyurethane lacquer, white
Temperature range	-55 °C, +70 °C; -67 °F, +158°F

Mounting:

The AC11BI4-US is fitted with UNS1"x14 female ferrules. Can be used with all standard mounting accessories. Integrated BNC female coaxial connector. All BI versions come with a tool to mount the BNC male coaxial connector inside the stainless steel ferrule.

AV-C adapter: To be able to make all 4ft. And 8ft. -BI version antennas – to a side feed cable version (to compensate for all C-version) - AV-C adapter is required .



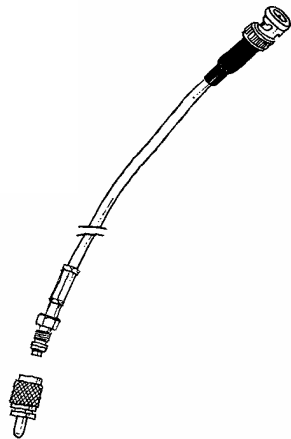
To be able to utilize the antenna completely we recommend a signal splitter to be used. Item no.: 014765.

4-way bracket and coaxial cable not included
UNS: Unifield Special

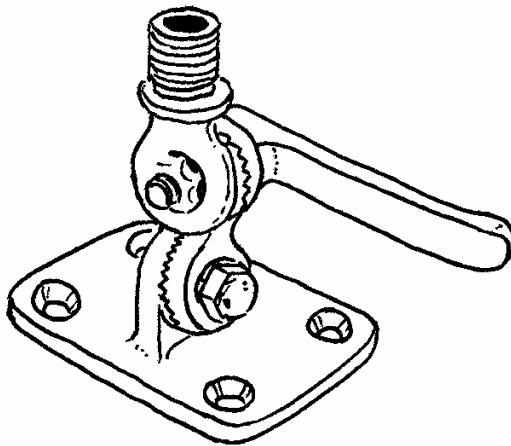
Supplement: (optional extra)

RG58 Cable.

Available in:
40ft 12m.
23ft 7m.
16ft 5m.
2ft 0,6m.



4 way bracket.



Extension Masts.

