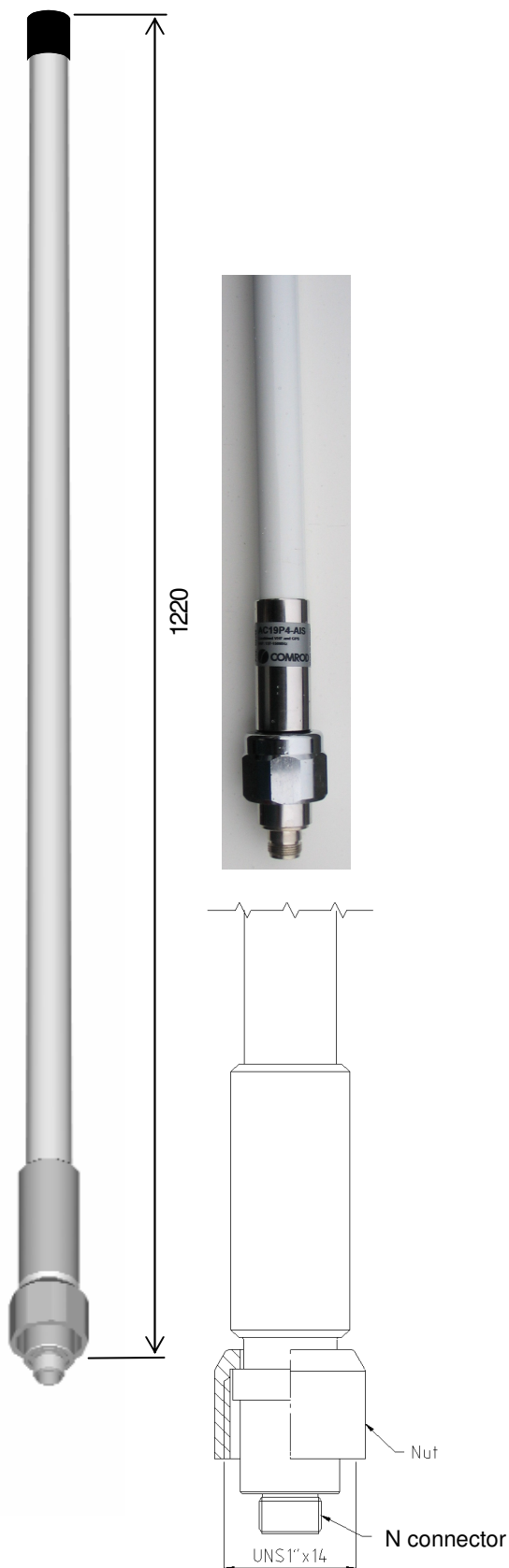


COMROD AC19P4

Combined VHF and GPS Antenna



Application:

The AC19P4 antenna includes an active GPS receiving antenna and a VHF dipole antenna. It is a high quality antenna with a durable construction and a beautiful finish for installation on all kind of vessels.

Also suitable for VHF and navigational GPS when space is at premium.

A signal diplexer (AIS/F) for separating VHF and GPS signals comes with the antenna. See system diagram on next page.

Electrical specifications:

Frequency range	VHF: 137-150 MHz, VSWR < 2.2 GPS: 1575.42MHz, L1
Nominal impedance	50 ohm
Power rating	VHF: 10 W
Gain	VHF: +1 dBi GPS: 24dB pre-amplifier
Polarization	VHF: Vertical GPS: RHCP
Power GPS	3.3V DC feed through the coax. cable, 15mA + center, - outer conductor
Noise figure, GPS amp.	1.2dB maximum
Connector	N female
Cable length between antenna and filter	RG214 : 40m maximum RG58 : 20m maximum

Mechanical specifications:

Design	VHF: Centerfed coaxial dipole. GPS: Active Quad helix Radiating elements completely enclosed in polyurethane foam within a fiberglass tube.
Height	1.22m
Weight	0.77 kg
Wind rating	55 m/s = 125 mph
Finish	Polyurethane lacquer, white
Temperature range	-40°C, +50°C; + -28 °F, +122°F

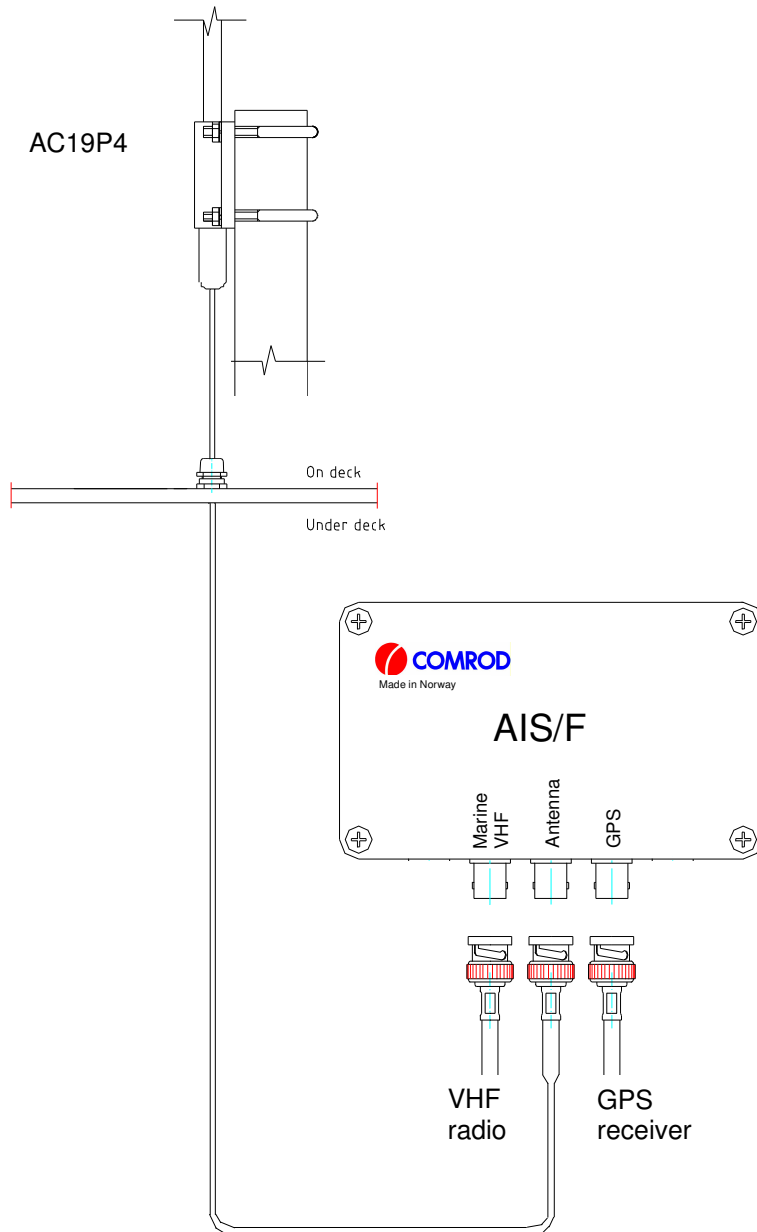
Mounting:

The AC19P4 is fitted with UNS1" x 14 female ferrules.

Can be used with all standard mounting accessories.

UNS: Unifield Special

System Diagram



Specifications, AIS/F:

The AIS/F is a passive filter for separating and combining GPS and VHF signals.

Dimensions	130 x 80 x 35 mm
Connector	BNC, 50Ω
Frequency range	VHF: 130 – 163MHz GPS: L1, 1575.42MHz