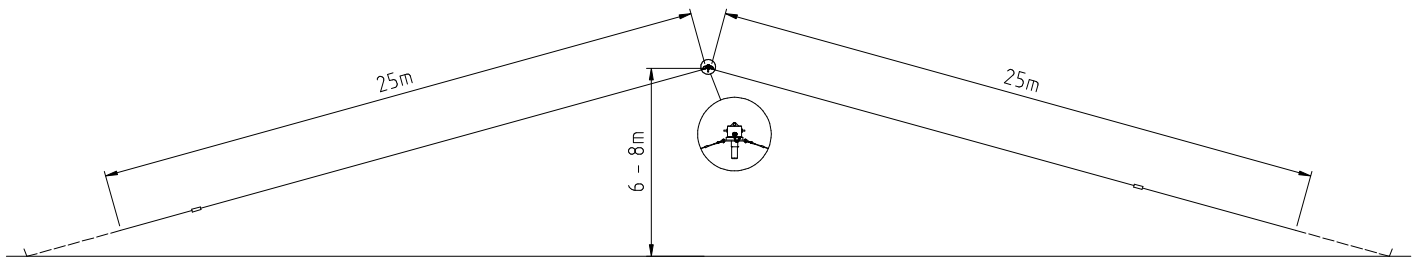


COMROD AH52 HF-VHF

HF/VHF Broadband Dipole

Features:

- * 2 - 88 MHz
- * With loads to obtain broad band characteristics
- * Permitting fast frequency shifts as it does not require adjustments
- * Easy to erect and disassemble
- * Compact package for transportation
- * Very low weight

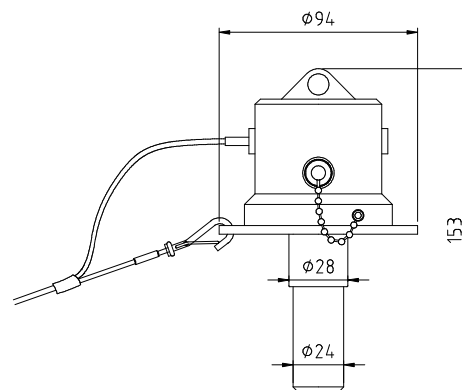


Electrical specifications:

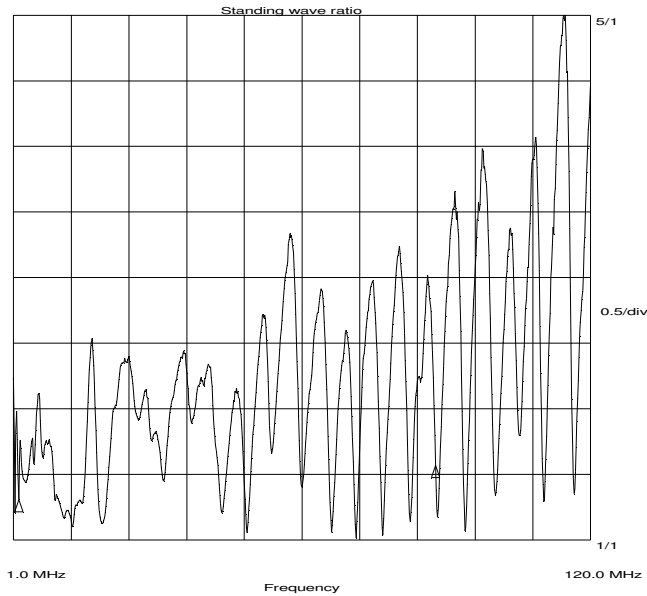
Frequency range	2 - 88 MHz
VSWR	Better than 3.5:1 see diagram, overleaf
Nominal impedance	50 ohm
Power rating	100 W PEP
Radiation diagram	Same as a dipole antenna with
Connector	BNC

Mechanical specifications:

Design	Centre section with terminals, two dipole arms, each with a load. Suspension line for each dipole arms and two winders. Throwing weight with line.
Length, dipole arms	2 x 25 m
Length, suspension line	2 x 5 m
Weight, total	2 kg
Temperature range	-55 °C, +71 °C; -67 °F, +160 °F

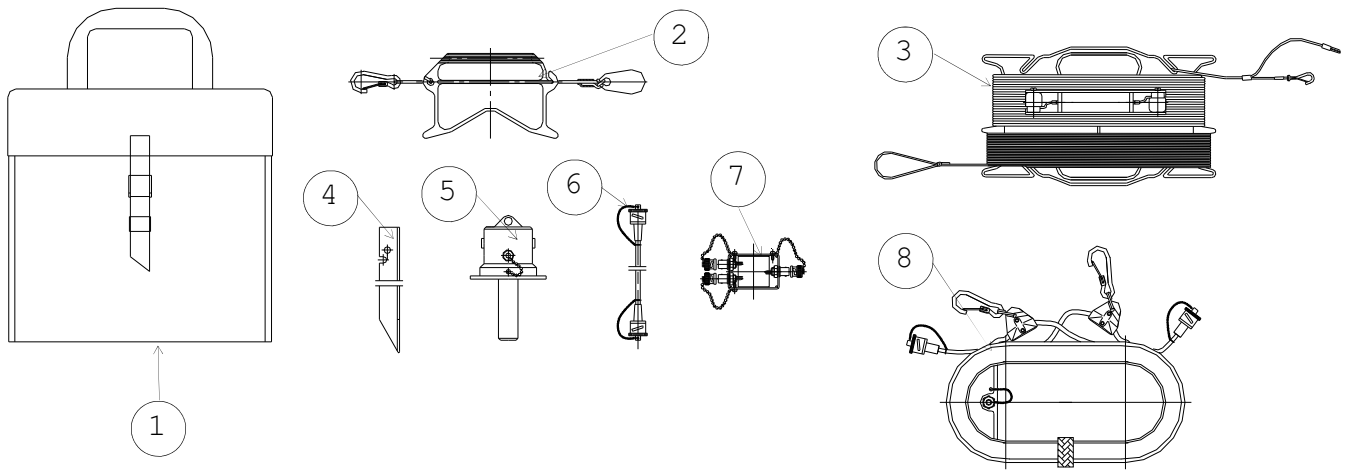


Typical Standing Wave Ratio:



Mounting:

The antenna consists of a centre section with terminals, two dipole arms, a suspension line for each dipole arm and two winders. The antenna centre section is raised to approximately 7m, and the dipole arms slope down to the ground. The suspension lines are then attached to guy-pegs or trees using the supplied throwing weight with line, or by using a mast..



Part	Qty.	Description
1	1	Carrying bag
2	1	Throwing weight
3	2	Dipole element
4	2	Guy peg
5	1	Center piece
6	2	Coaxial cable 2 ,5m RG223
7	1	Diplexer, optional
8	1	Coaxial cable RG223

Optional Diplexer

