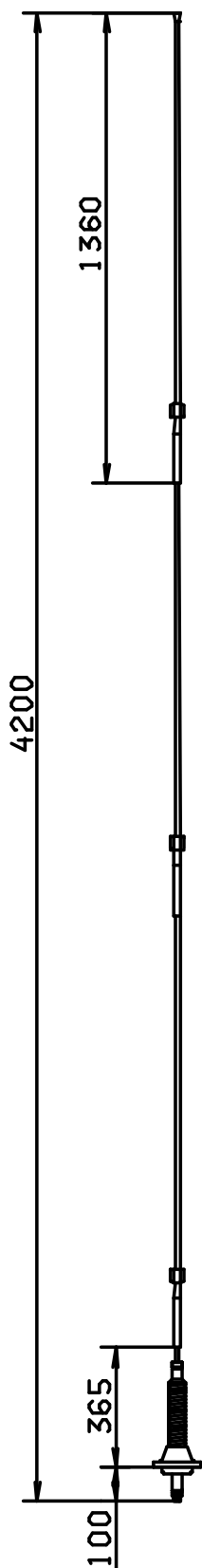


COMROD APX41

HF Mobile Whip Antenna



Application:

The APX41 is constructed for land mobile services in the HF-band 2 - 30 MHz. It consists of three mast sections and a base section. The base section is equipped with heavy duty spring coil to absorb shocks and to allow for a semipermanent deflection of the antenna when moving the vehicle. To give better performance on lower frequencies, it is possible to add up to three more sections.

Electrical specifications:

Frequency range	2 - 30 MHz
Impedance	Depending on mounting, example overleaf
Power rating	400 W cw
Radiation diagram	Omnidirectional
Electrical length	4.2 m
Polarization	Vertical

Mechanical specifications:

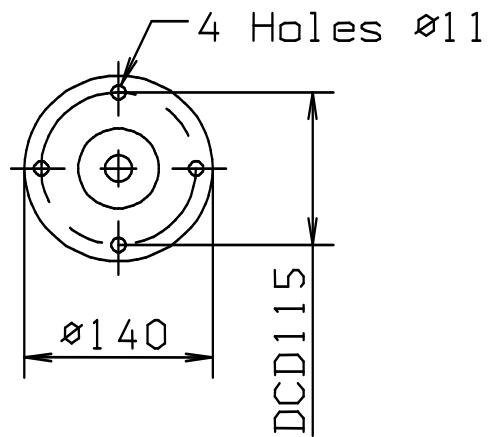
Design	End fed whip. Radiating elements completely enclosed in epoxy/fibreglass laminate. Metal parts are brass and stainless steel.
Length, mounted	4.20 m
Weight	4.5 kg
Wind rating	55 m/s = 125 mph
Finish	Polyurethane lacquer, olive drab.
Temperature range	-55 °C, +71 °C; -67 °F, +160 °F

Mounting:

The base fits into a standard NATO four-bolt bracket type.

Nato codification complete antenna	5985-25-126-6707
------------------------------------	------------------

Base:



Frequency	Impedance APX41
2.0	0.3-j1830
3.0	0.7-j1203
4.0	1.1-j884
6.0	2.6-j555
7.0	4-j456
8.0	5-j379
9.0	6-j316
11.0	10-j216
12.0	13-j175
13.0	16-j137
14.0	19-j102
16.0	29-j36
17.0	34-j4
22.0	94+j168
23.0	117+j209
25.0	188+j301
30.0	792+j425