

COMROD APX50

HF Mobile Whip Antenna

Application:

The APX50 is constructed for land mobile services in the HF-band 2 - 30 MHz. It consists of four mast sections and a base section. The base section is equipped with heavy duty spring coil to absorb shocks and to allow for a semi permanent deflection of the antenna when moving the vehicle. To give better performance on lower frequencies, it is possible to add one section. To reduce visual signature the antenna can also be used with only two sections.

Electrical specifications:

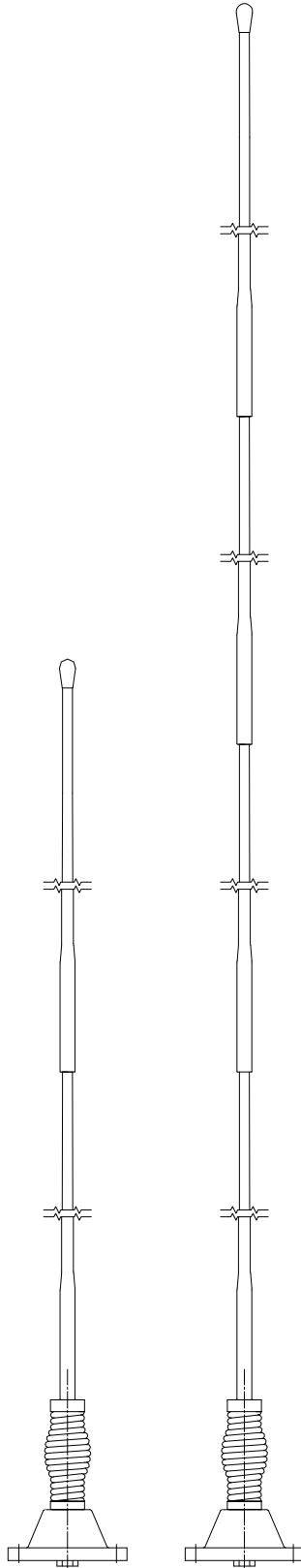
Frequency range	2-30 MHz
Impedance	Depending on mounting
Power rating	400 W
Radiation diagram	Omnidirectional
Polarization	Vertical

Mechanical specifications:

Design	End fed whip. Radiating elements completely enclosed in epoxy/fibreglass laminate. Metal parts are brass and stainless steel.
Length	2 sections: 2600mm 4 sections: 5000mm
Weight	4 sections: 4.5 kg
Finish	Polyurethane lacquer, olive
Temperature range	-55 °C, +71 °C; -67 °F, +160 °F

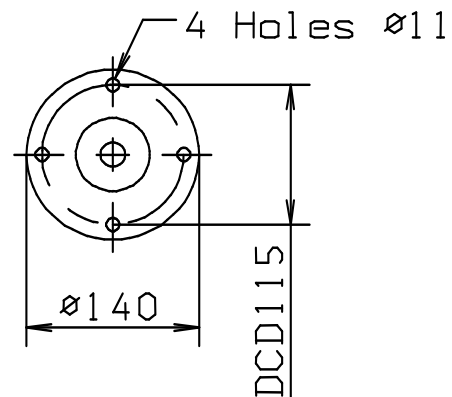
Mounting:

The base fits into a standard NATO four-bolt bracket type.

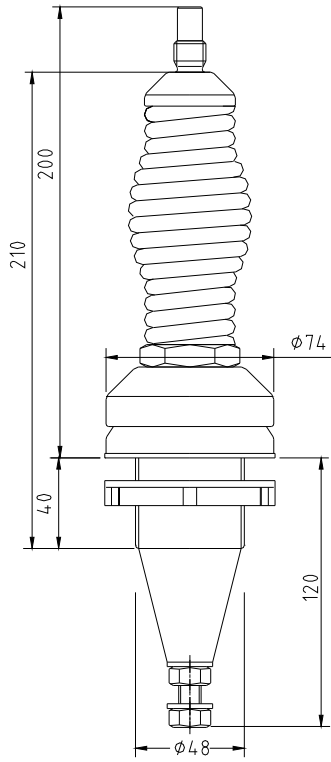


2 sections

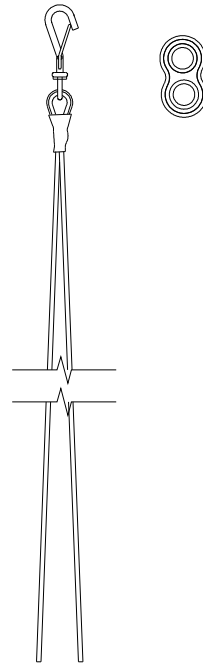
4 sections



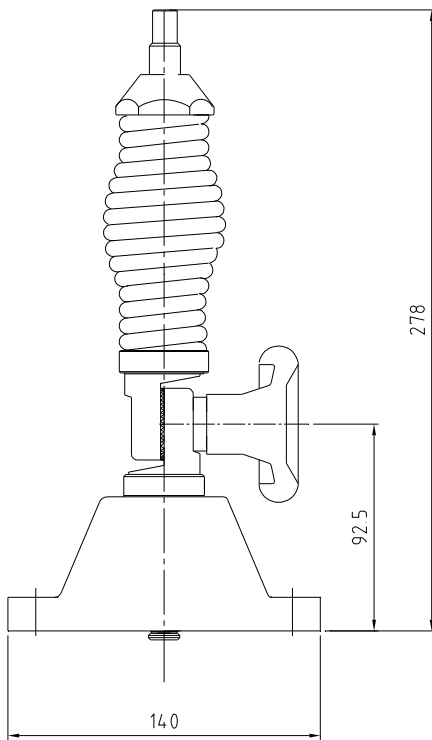
Options:



50 m.m. base



Tie down kit



Base w/tilting, 8mm spring