

# COMROD AS9RB

## Radio Beacon Transmitting Antenna

### Application:

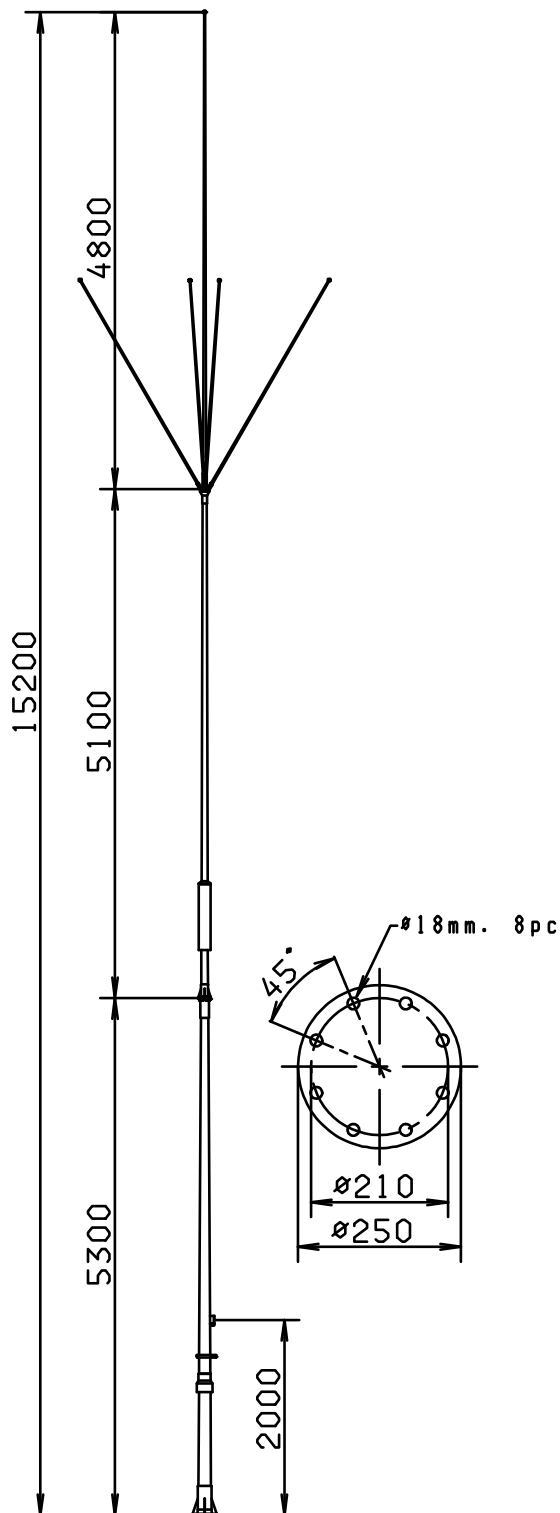
Comrod's AS9RB radio beacon transmitting antenna is a high quality glassfibre antenna, designed to operate in the frequency range 200-500 kHz. Its construction makes it ideal for use in harsh environments and when outstanding efficiency is required.

### Electrical specifications:

Frequency range	200-500 kHz
Power rating	150 W
Resonance frequency	450 kHz
Static capacitance	280 pf at 300 kHz

### Mechanical specifications:

Design	Selfsupporting coil loaded fiberglass mast antenna. Armatures are bronze and stainless steel.	
Height	15.2 m (50 ft)	
Weight	70 kg	
Sections	Base section AMS9:	47.0 kg
	Coil section ASS9RB:	17.0 kg
	Top whip APB50:	2.6 kg
	Top side whips 4xAPB3:	3.8 kg
Wind rating	55 m/s = 125 mph	
Moment of flexure	900 kpm at 55 m/s	
Deflection due to wind load	8 m (24 ft) at tip ball at 55 m/s wind load	
Finish	Polyurethane lacquer, white	
Temperature range	-55 °C, +55 °C, -67 °F, +131 °F	
Ice buildup	Not affected	



### Mounting:

Mounting by means of 8 x M16 bolts to flange or pedestal.

Suitable feeding cable: 7 x 7 x 0.6mm hard drawn copperwire.

Look for more detailed mounting instructions at AS9 datasheet.