

COMROD AV15

Marine VHF Antenna

Application:

The AV15 is a high quality dipole antenna designed for the marine VHF radio telephone service and may be installed on all kinds of vessels, from pleasure crafts to ocean liners. It does not require a ground plane.

Electrical specifications:

Frequency range	155-162 MHz, VSWR < 1.5 : 1 144-165 MHz, VSWR < 2 : 1
Nominal impedance	50 ohm
Power rating	100 W
Gain	2 dbi
Pattern	Horizontal plane: Omnidirectional Vertical plane: See reverse side
Polarization	Vertical
Connector	UHF female
DC-grounded	Yes

Mechanical specifications:

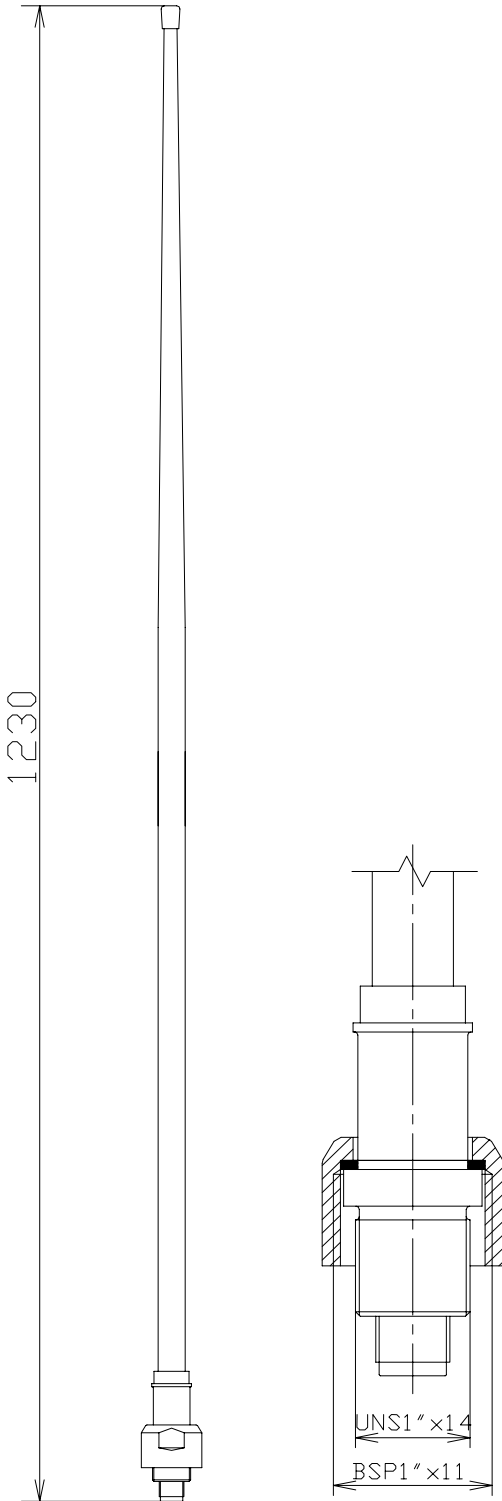
Design	Centerfed coaxial dipole. Radiating elements completely enclosed in polyurethane foam within a fiberglass tube.
Height	1.23m
Weight	0.5 kg
Wind rating	55 m/s = 125 mph
Finish	Polyurethane lacquer, white
Temperature range	-55 °C, +55 °C; -67 °F, +131°F

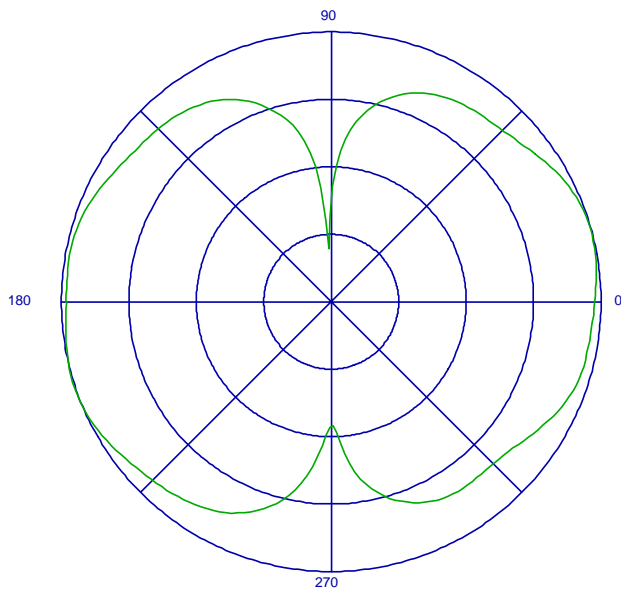
Mounting:

The AV15 is fitted with UNS1"x14 male ferrules and BSP1" x 11 nut. Adapter for UNS1"x14 female ferrules is available (see reverse page). Can be used with all standard mounting accessories. Instead of using the adapter, the antenna can be mounted at a pipe with BSP1" x 11 male threads.

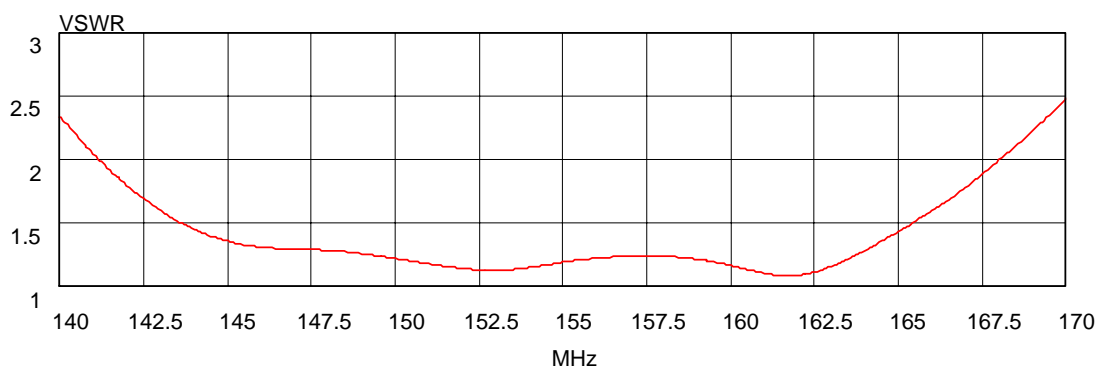
Suitable cable: RG58, RG213 or similar.

BSP : British Standard Pipe
UNS: Unifield Special





Vertical radiation diagram
 $f = 160\text{MHz}$
 40dB dynamic range, 10 dB/div



Standing wave ratio

Supplement: (optional extra)

Adapter for 4 way bracket.

