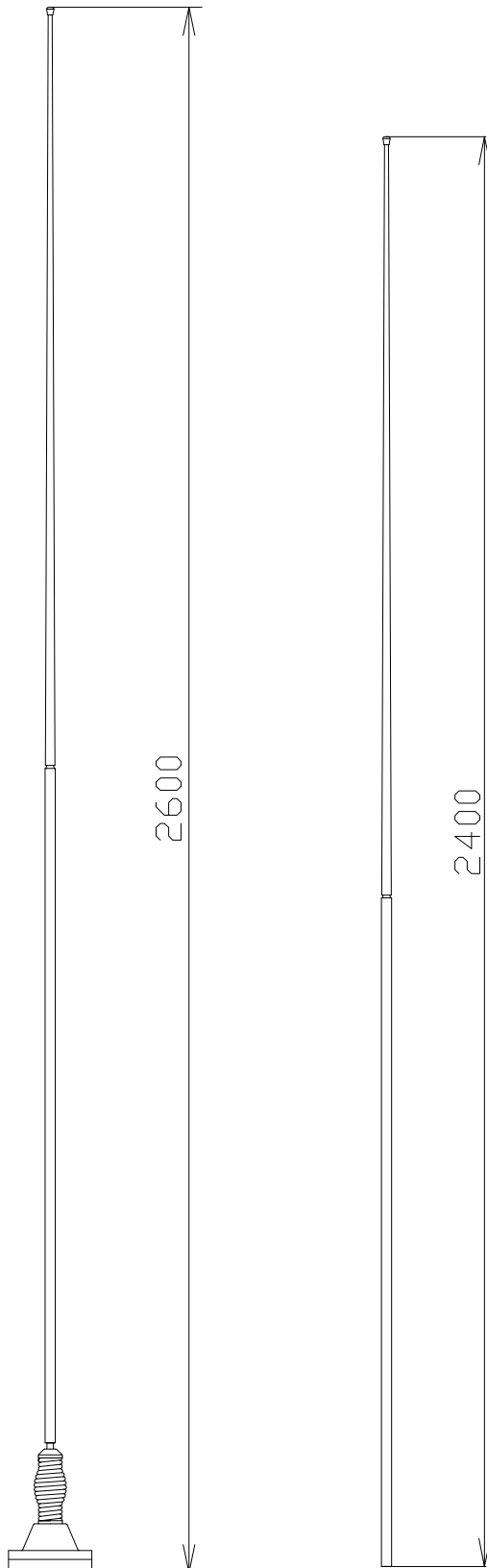


COMROD VHF30108EF

VHF Broadband Antenna



Application:

- * 30 - 108 MHz
- * Designed for operation on all kinds of vehicles including Jeeps, Trucks and other armoured vehicles.
- * Easy to use.
- * No adjustment required.

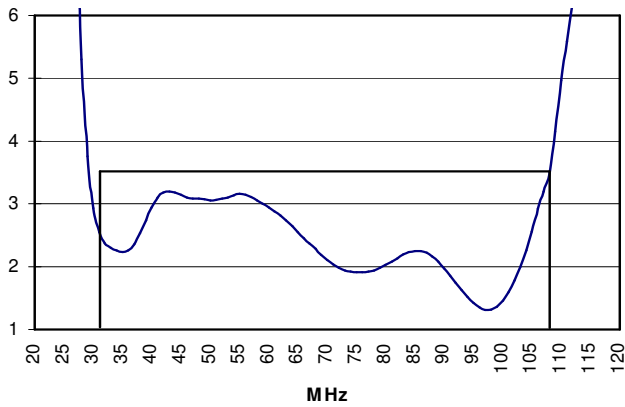
Electrical specifications:

Frequency range	30 - 108 MHz
VSWR	see diagram, overleaf
Nominal impedance	50 ohm
Power rating	100 W cw
Gain	see diagram, overleaf
Radiation pattern	Azimuth: Omnidirectional
Polarization	Vertical
Connector	to be specified

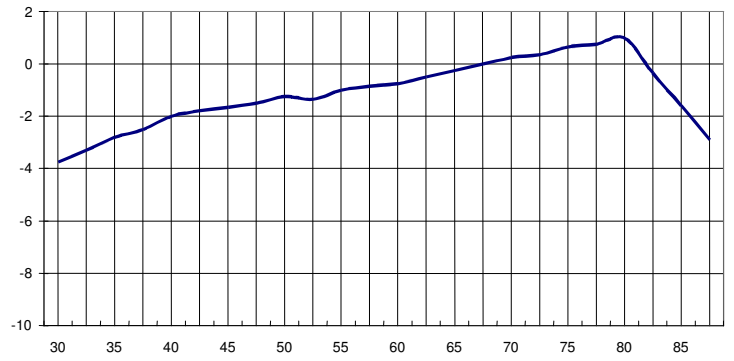
Mechanical specifications:

Design	End fed whip. Radiating elements completely enclosed in epoxy/fibreglass laminate. Metal parts are brass and stainless steel.
Length, mounted	2.6 m
Length, dismantled	1.27m
Weight	2.7 kg
Wind rating	55 m/s = 125 mph
Finish	Polyurethane lacquer, olive drab.
Temperature range	-55 °C, +55 °C; -67 °F, +131 °F

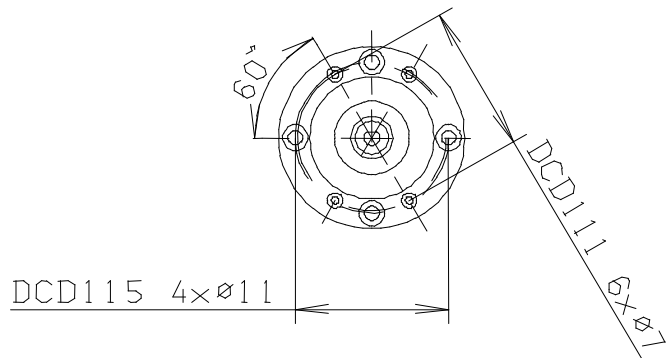
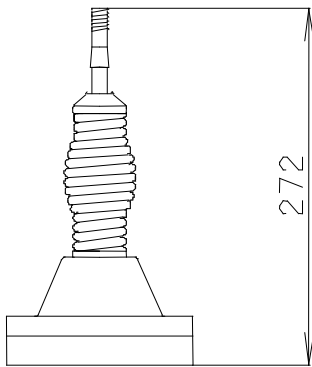
VSWR



GAIN, relative 1/4 whip



Bases:



Mounting:

The Mounting hardware makes VHF30108EF usable for vehicle and permanent installations.