

COMROD VHF30108LP

VHF Low profile Broadband Antenna

Features:

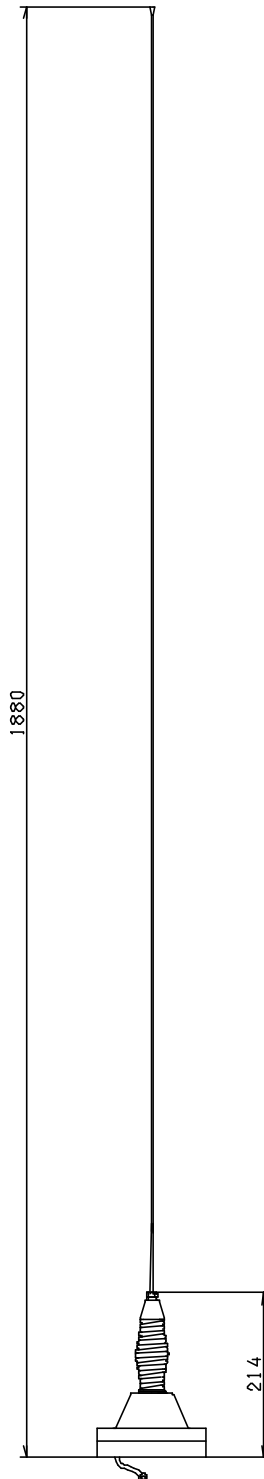
- * 30 - 108 MHz
- * Low profile, stainless steel whip.
- * Fits standard NATO base.
- * Designed for operation on all kinds of vehicles including Jeeps, Trucks and armoured vehicles.
- * No tuning required

Electrical specifications:

Frequency range	30 - 108 MHz
VSWR	< 3.5
Nominal impedance	50 ohm
Power rating	75 W cw
Gain	see diagram, overleaf
Radiation pattern	Azimuth: Omnidirectional Elevation: See overleaf
Polarization	Vertical
Connector	BNC

Mechanical specifications:

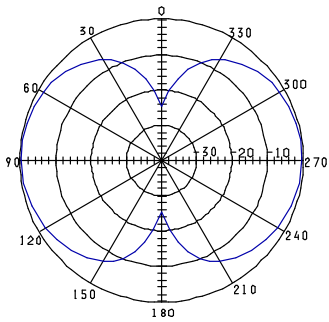
Design	End fed whip. Metal parts are stainless steel.
Length, mounted	1.88 m
Weight	2.0 kg
Wind rating	55 m/s = 125 mph
Finish	Epoxy powder lacquer, olive drab and class 3 blackened.
Temperature range	-55 °C, +71 °C; -67 °F, +160 °F



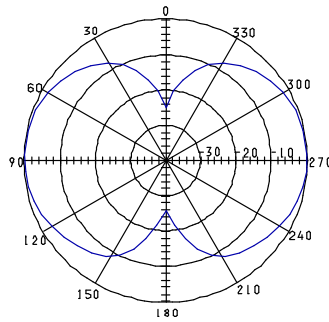
Nato codification complete antenna

5985-25-145-5923

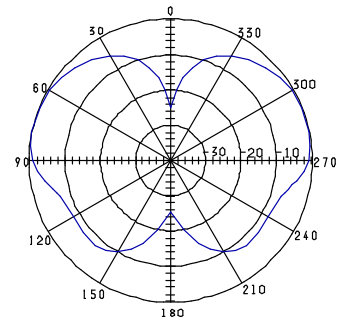
Radiation Diagram, Elevation:



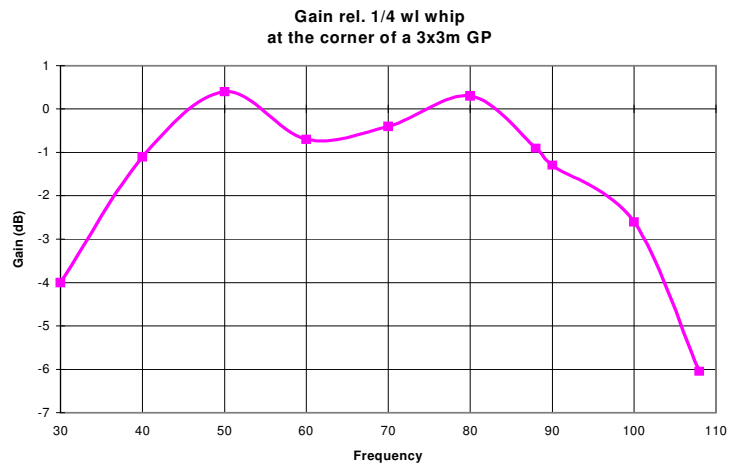
30MHz



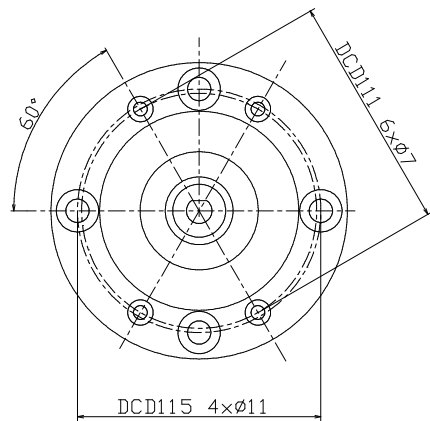
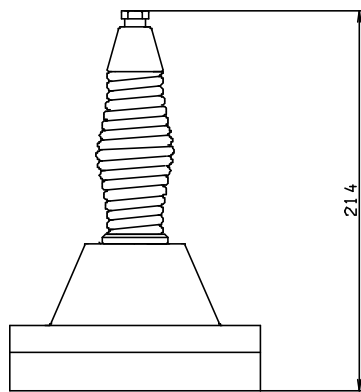
60MHz



88MHz



Base:



Mounting:

The mounting hardware makes VHF30108LP usable for vehicle and permanent installations.