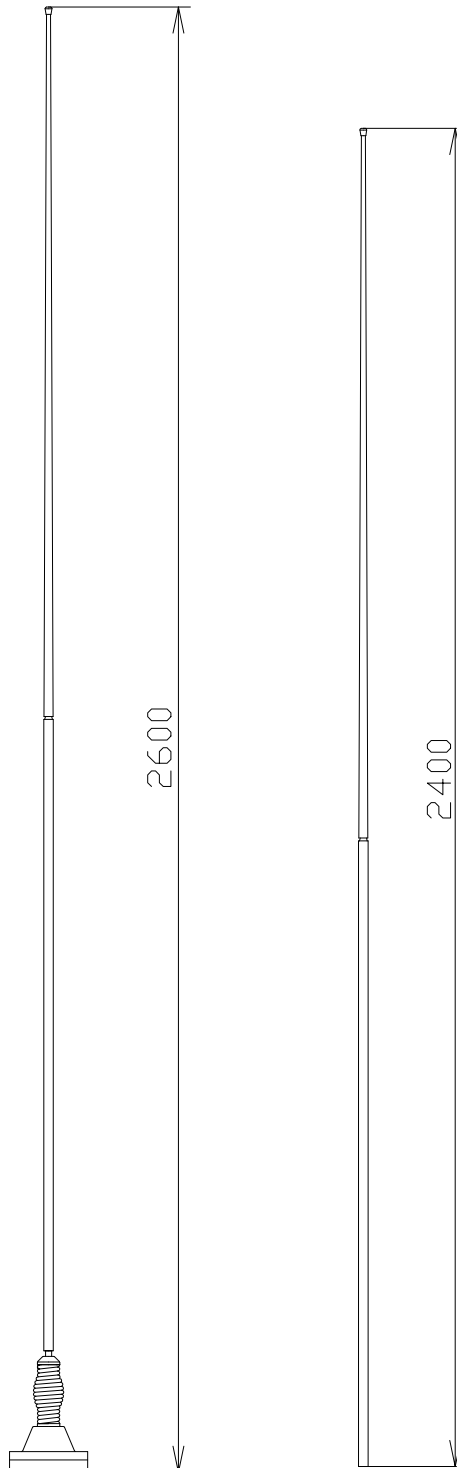


COMROD VHF3088EF/GPS

VHF Broadband Antenna with GPS



Application:

- * 30 - 88 MHz
- * Designed for operation on all kinds of vehicles including Jeeps, Trucks and other armoured vehicles.
- * Easy to use.
- * No adjustment required.
- * Built in Mil-Spec. GPS active receiving antenna. The GPS antenna will not be affected by the use of full transmitting power on VHF.

Electrical specifications:

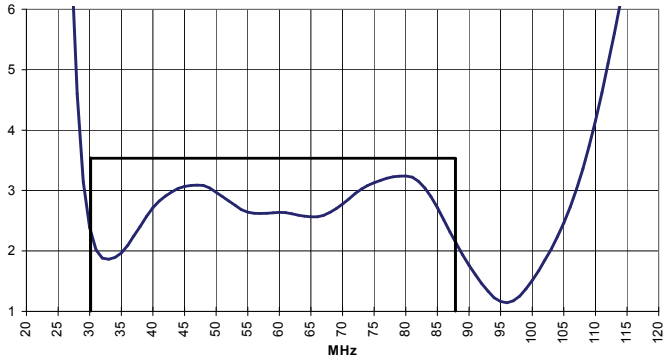
Frequency range	30 - 88 MHz
VSWR	see diagram, overleaf
Nominal impedance	50 ohm
Power rating	100 W cw
Gain	see diagram, overleaf
Radiation pattern	Azimuth: Omnidirectional
Polarization	Vertical
Connector VHF:	to be specified
GPS:	SMA female
GPS frequency range:	L1, 1575.42 ± 10MHz
GPS preamplifier gain:	26.5 dB
GPS noise figure:	2.5dB
GPS supply voltage:	5.0 ± 0.5V
GPS supply current:	< 40mA

*Lightening protection available on request.

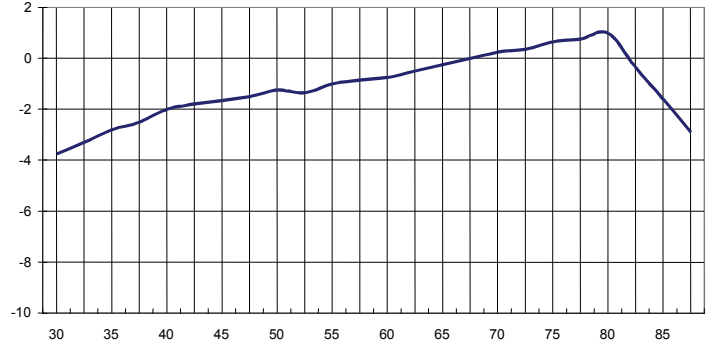
Mechanical specifications:

Design	End fed whip. Radiating elements completely enclosed in epoxy/fibreglass laminate. Metal parts are brass and stainless steel.
Length, mounted	2.6 m
Length, dismounted	1.27m
Weight	2.7 kg
Wind rating	55 m/s = 125 mph
Finish	Polyurethane lacquer, olive drab.
Temperature range	-55 °C, +55 °C; -67 °F, +131 °F

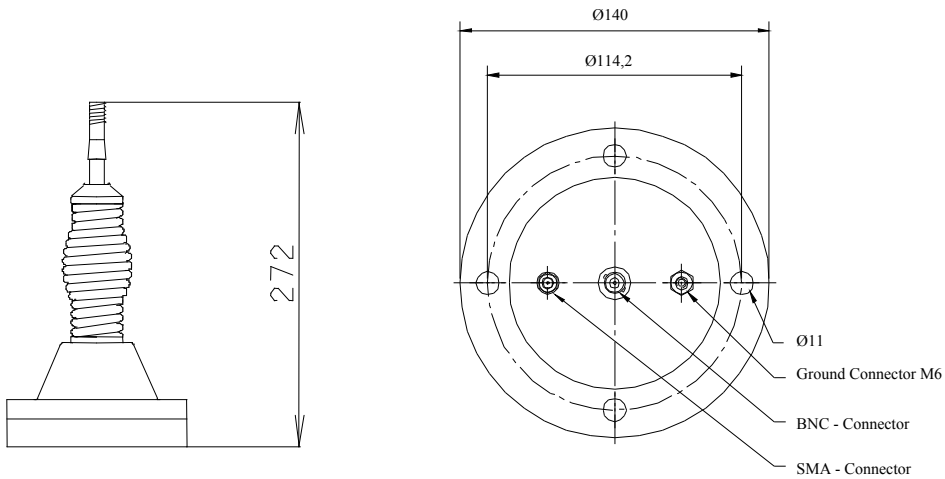
VSWR



GAIN, relative 1/4 whip



Bases:



Mounting:

The Mounting hardware makes VHF3088EF usable for vehicle and permanent installations.