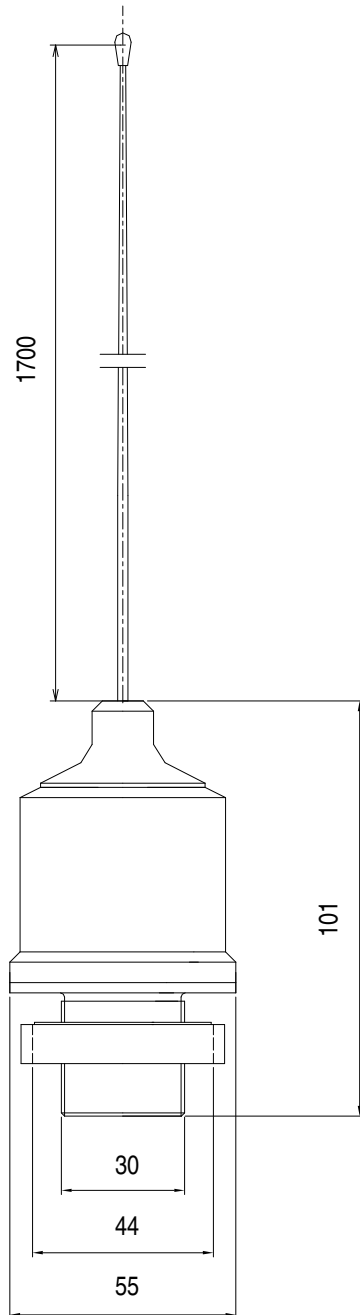


COMROD VHF3088LP-MC

VHF Low profile Broadband Antenna



Features:

- 30 - 88 MHz
- Low profile, stainless steel whip.
- Designed for operation on all kinds of vehicles including Jeeps, Trucks, Snow scooter, small boats and armoured vehicles.
- No tuning electronics in the base.
- No tuning required

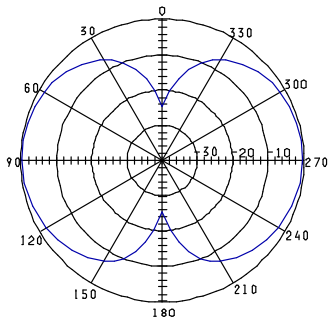
Electrical specifications:

Frequency range	30 - 88 MHz
VSWR	< 3.5 See diagram, overleaf
Nominal impedance	50 ohm
Power rating	10 W CW
Radiation diagram pattern	Azimuth: Omnidirectional Elevation: See overleaf
Polarization	Vertical
Connector	BNC

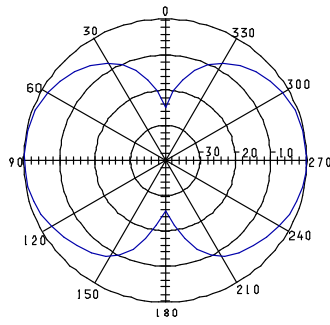
Mechanical specifications:

Design	End fed whip.
Length, mounted	1.80m
Weight	500gr.
Wind rating	55 m/s = 125 mph
Finish	Whip - Epoxy powder lacquer, olive drab. Base - Black
Temperature range	-55 °C, +55 °C; -67 °F, +131 °F

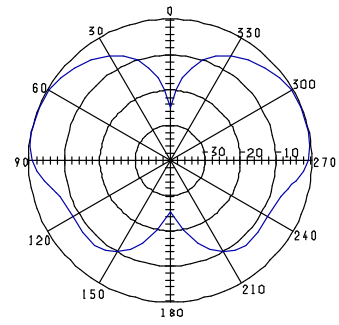
Radiation Diagram, Elevation:



30MHz

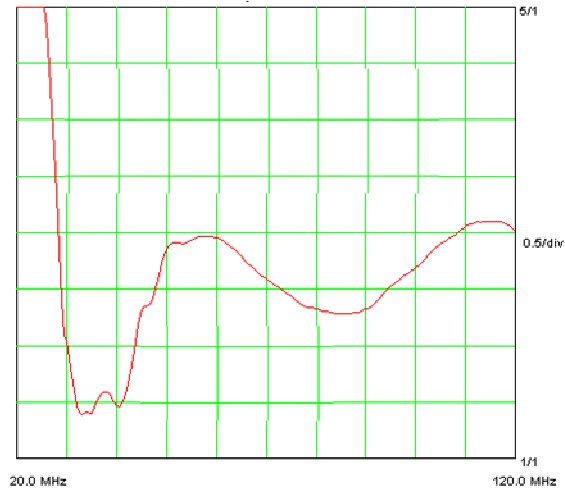


60MHz

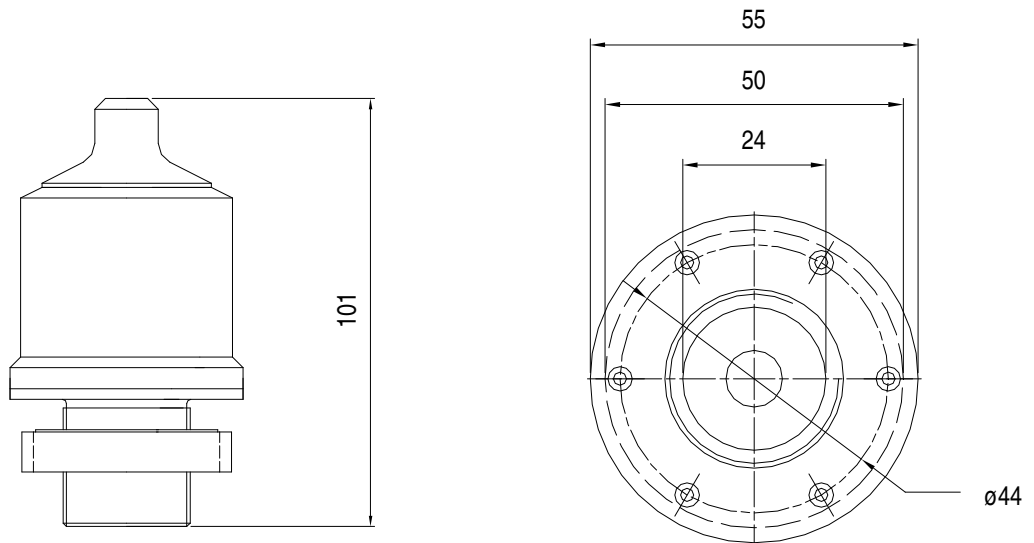


88MHz

VSWR



Base:



Mounting:

The mounting hardware makes VHF3088LP-MC usable for vehicle and permanent installations.